

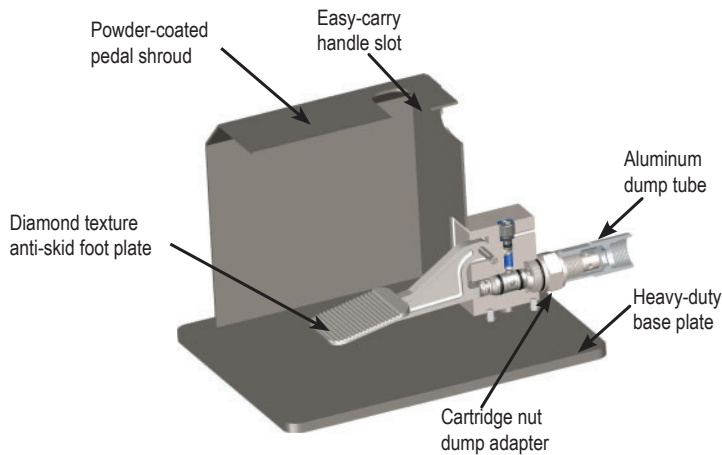
## 15K Foot Operated Dump Style Control Guns

**Typical Foot Gun Hookup** These foot operated control valves (foot guns) are designed for smooth reliable operation. They are easily rebuilt in the field in 30 seconds by unscrewing the dump tube, which removes the used valve assembly. The operator then snaps a new cartridge style valve into the dump tube adapter and returns the whole assembly to the gun.

Strain Relief Whip Hoses (**Part # 4W101**) are designed to relieve the forces on the flex lance end fitting, which extends the life of the lance, and reduces the risk to the operator associated with the end fitting failing prematurely.

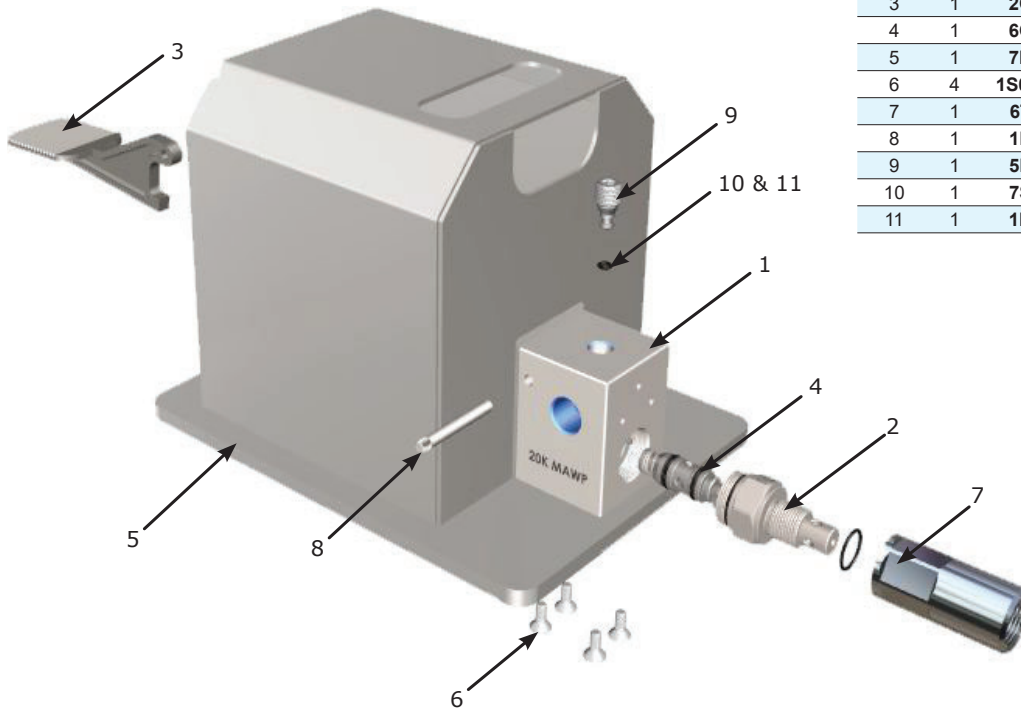


Part No.	Description
2G115	Foot Gun-Assembly, Dump, 15K



### Features:

- Fully enclosed safety shrouds.
- Easy-carry handles.
- Quick-change cartridge overhaul.
- Non-slip diamond texture foot pedals.
- Powder-coated pedal shroud.
- Cartridge nut / dump adapter.
- 1/2" NPT connection.
- Aluminum dump tube.
- Heavy-duty base plate.



ITEM	QTY	PART No.	DESCRIPTION
1	1	6B215	15K Foot Gun Block
2	1	2A720	15/20K Cartridge Assembly
3	1	2C801	Pedal - 15/20K Foot Gun
4	1	6C320	Cartridge Assembly, Dump 15/20KSI
5	1	7B470	Base Weldment, Foot Gun
6	4	1S016-10	1/4"-20 Socket Head Screws 5/8" Long
7	1	6T606	Tube-Dump, Foot Gun
8	1	1P026	Pin-Knurled, 1/4"
9	1	5P320	Plug, Block
10	1	7S008	Seal
11	1	1R708	Ring-BackUp, -008

**Easy-Change Cartridge Assembly** The cartridge assembly enables rebuilding of the gun in the field in 30 seconds or less with common tools.

